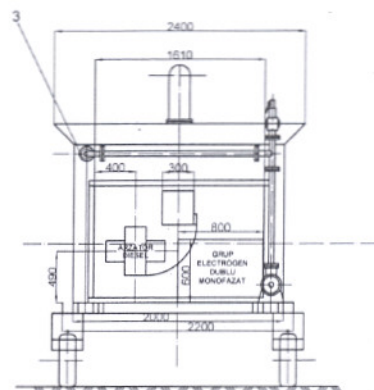
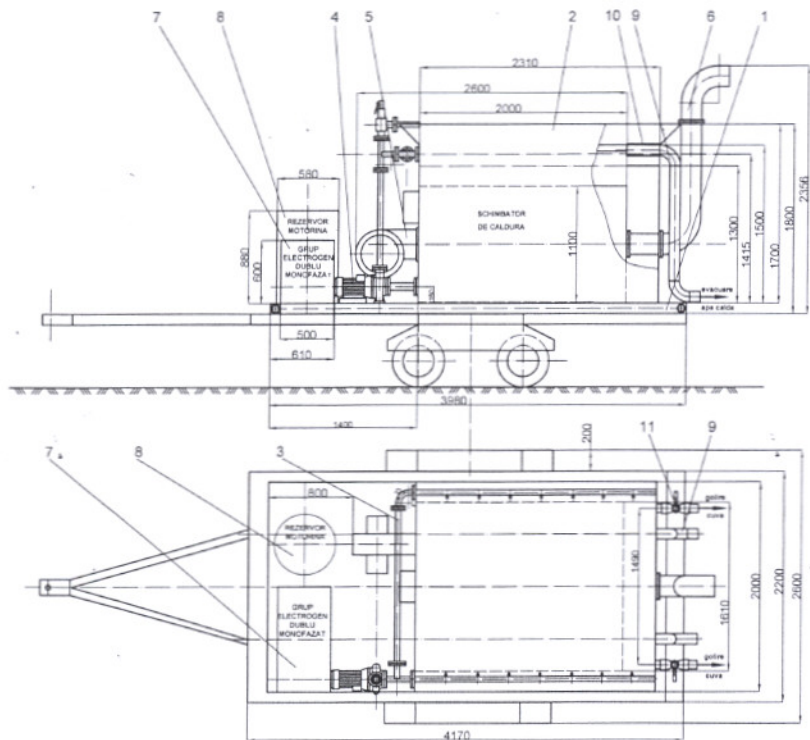


11	Robinet golire cuva	—	2	—	Dn80	5,00
10	Filtru grosier	—	1	—	1500x300 mm	10,00
9	Conducta evacuare apa	—	2	—	L=200 mm	30,00
8	Rezervor motorina	—	1	—		40,00
7	Electrogenerator	MGD-V92601	1	—	INFOMARK	100,00
6	Cos de fum	—	1	—		50,00
5	Arzator motorina cu schimbator de caldura	Model 300 kW	1	—	VLADIROM	550,00
4	Electropompa centrifuga	IR 32/200N	1	—	TOOLET DISTRIBUTION	150,00
3	Instalatie de stropire	22CI-3.0	1	—		50,00
2	Cuva topire	22CI-2.0	1	—		700,00
1	Sasiu	22CI-1.0	1	—		280,00

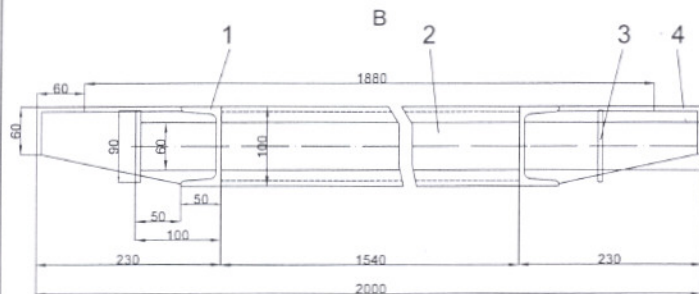
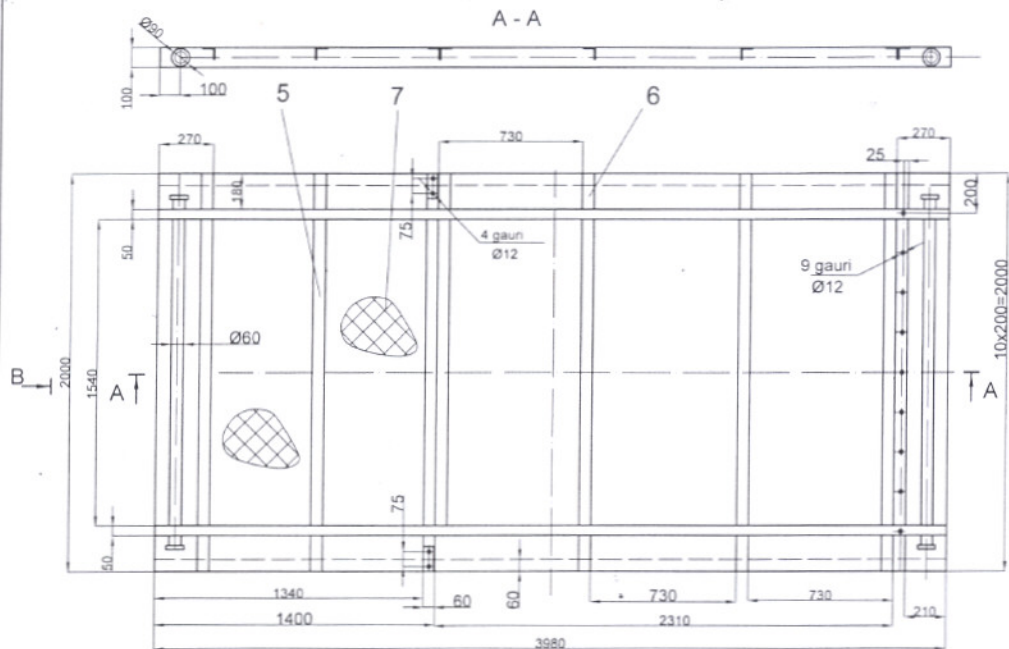
Poz	Denumire	Nr. desen sau STAS	Buc.	Material	Observatiil	Masa
Proiectat	dr.ing. Cristescu C.		22CI - 0		Pl. 1/2	
Desenat	ing. Hristea A.		Inlocuieste desen nr.			
Verificat	ing. Dumitrescu L.		Nr.inventar			
Contr. STAS	ing. Sauciuc R.		Masa: 2000,00 kg			
Aprobat	dr.ing. Lepadatu I.		INOE 2000-IHP			
		MASINA ECOLOGICA DE TOPIRE ZAPADA				
		Data: 28.11. 2017				



CARACTERISTICI TEHNICE

- Productivitatea 3-5 t/h
- Puterea arzatorului 300 kW
- Cantitatea de zapada de topit 10-12 m³/h
- Volumul util al cuvei de topit 3,5-4 m³
- Presiune instalatie de stropire 5-8 bar
- Tensiune/frecventa 230 Vca/50 Hz
- Electro generator pe motorina 2 prize 230 Vca + 1 prize 12 Vcc

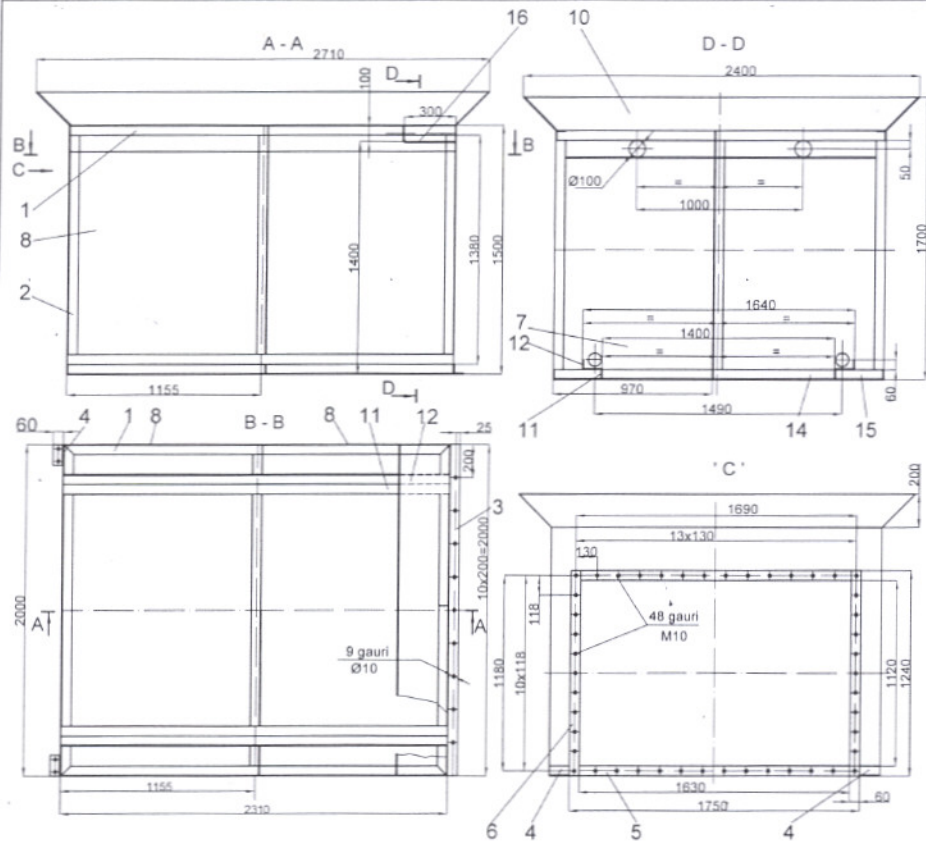
Proiectat		ing. Cristescu C.	<div style="text-align: center;"> </div>	22CI - 0	PL 2/2
Desenat		ing. Mircea A.			
Verificat		ing. Sauciu R.			
Contr. STAS		ing. Dumitrescu L.			
Aprobat		ing. Lepotaru I.			
INOE 2000-IHP			Masa	Inlocuiete nr.	
			11	Inventar nr.	
			Date 6 11 2017	MASINA ECOLOGICA DE TOPIT ZAPADA	



7	Tabla striata gros 3	---	1	OL37.2n	2000x1200	53,00
6	Cornier 60x60x6	22CI-1.6	16	OL37.2n	L=230	1,08
5	Cornier 60x60x6	---	8	OL37.2n	L=1540	8,37
4	Cornier 60x60x6	---	2	OL37.2n	L=3980	22,00
3	Disc Ø90x10	---	4	OL37.2n		0,50
2	Teava Ø63x3	---	2	OL37.2n	L=1740	7,72
1	Lonjeron U10	22CI-1.1	2	OL37.2n	L=3950	42,00

Poz	Denumire	Nr. desen sau STAS	Buc	Material	Observatii	Masa kg/buc

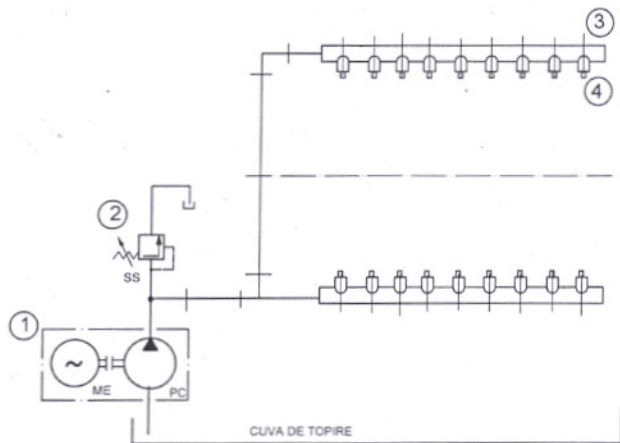
Proiectat	de ing. Dumitrescu C.		22CI-1.0
Desenat	ing. Serb S.		
Verificat	ing. Dumitrescu C.		
Constr. STAS	ing. Saucan R.		
Aprobat	ing. Iacovalei I.		
Masa 280,00 kg			Inlocuieste nr.
INOE 2000-IHP			SASIU
Data 6.11.2017			Masina ecologica de topit zapada



16	Tabla suport fitru	---	1	OL37 2n	L=1988	20,00
15	Traversa II (L60x60x6)	---	2	OL37 2n	L=988	5,00
14	Traversa I (L60x60x6)	---	1	OL37 2n	L=1400	7,00
13	Stalp lung (L60x60x6)	---	3	OL37 2n	L=1488	8,00
12	Sina (L60x60x6)	---	4	OL37 2n	L=1200	6,50
11	Support (L60x60x6)	---	2	OL37 2n	L=2310	12,50
10	Rama conica	22CI-2.10	1	OL37 2n	1000x300	70,00
9	Perete fata (3 mm)	22CI-2.9	2	OL37 2n	2000x1500	70,00
8	Perete lateral (3 mm)	---	4	OL37 2n	1155x1500	40,00
7	Perete spate (3 mm)	---	1	OL37 2n	2000x1500	70,00
6	Rigleta verticala 60x10	---	2	OL37 2n	L=1240	7,00
5	Rigleta orizontala 60x10	---	2	OL37 2n	L=1630	9,00
4	Talpa scurta (L60x60x6)	22CI-2.14	2	OL37 2n	L=125	0,50
3	Talpa lunga (L60x60x6)	22CI-2.13	1	OL37 2n	L=2000	5,00
2	Stalp (L60x60x6)	---	4	OL37 2n	L=1980	5,00
1	Cadru	22CI-2.10	2	---	---	48,00

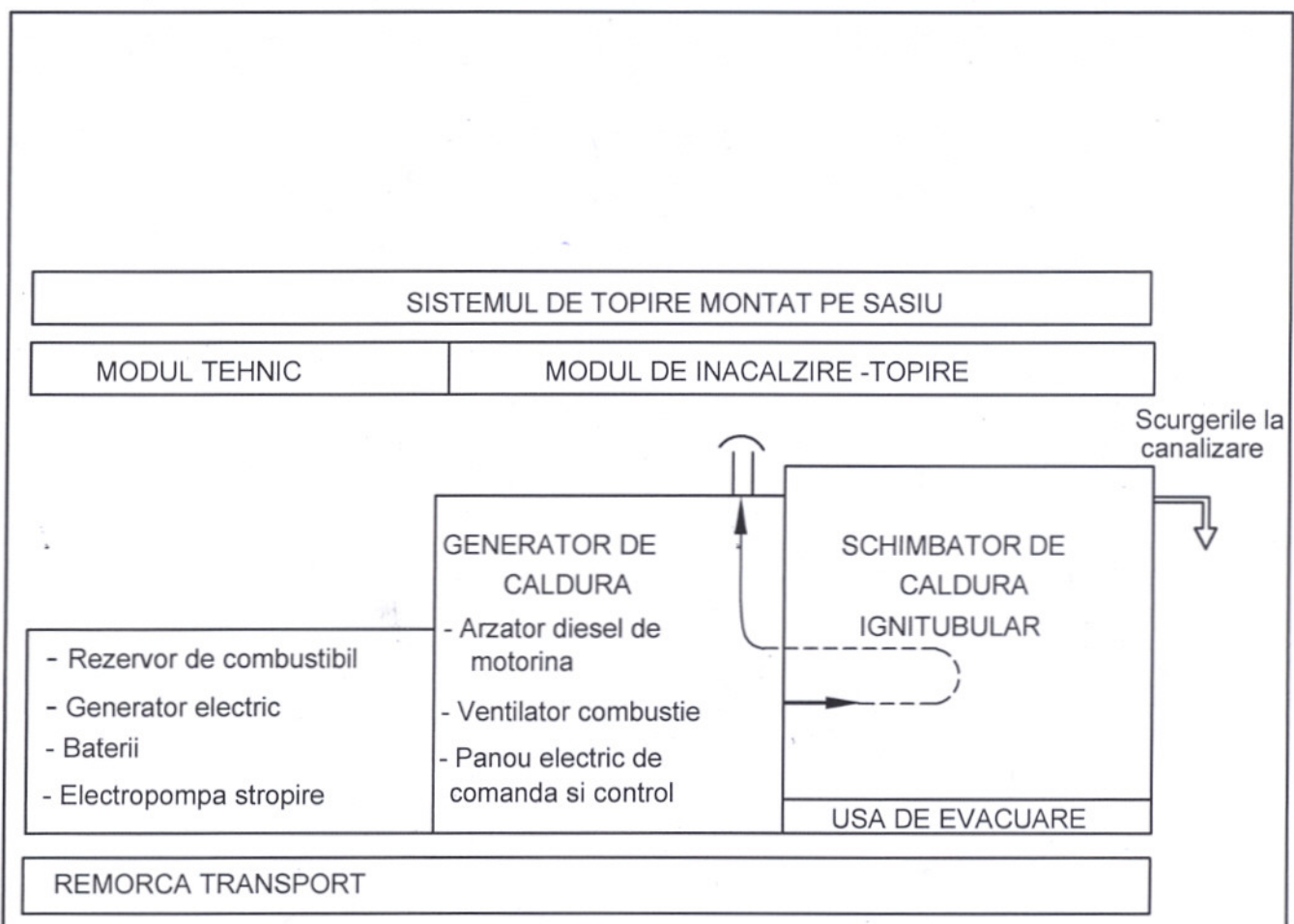
Poz	Denumire	Nr. desen sau STAS	Buc	Material	Observatii	Masa kg/buc

Proiectat	ing. ing. Grigore C.		Masa 700.00 kg	22CI-2.0	
Desenat	ing. Sabin S.				
Verificat	ing. Dumitrescu L.				
Cont. STAS	ing. Sabin C.				
Aprubat	ing. Lepăşaru I.				
INOE 2000-IHP				1.1	CUVA TOPIRE
Data: 14.11.2017				Masina ecologica de topit zapada	

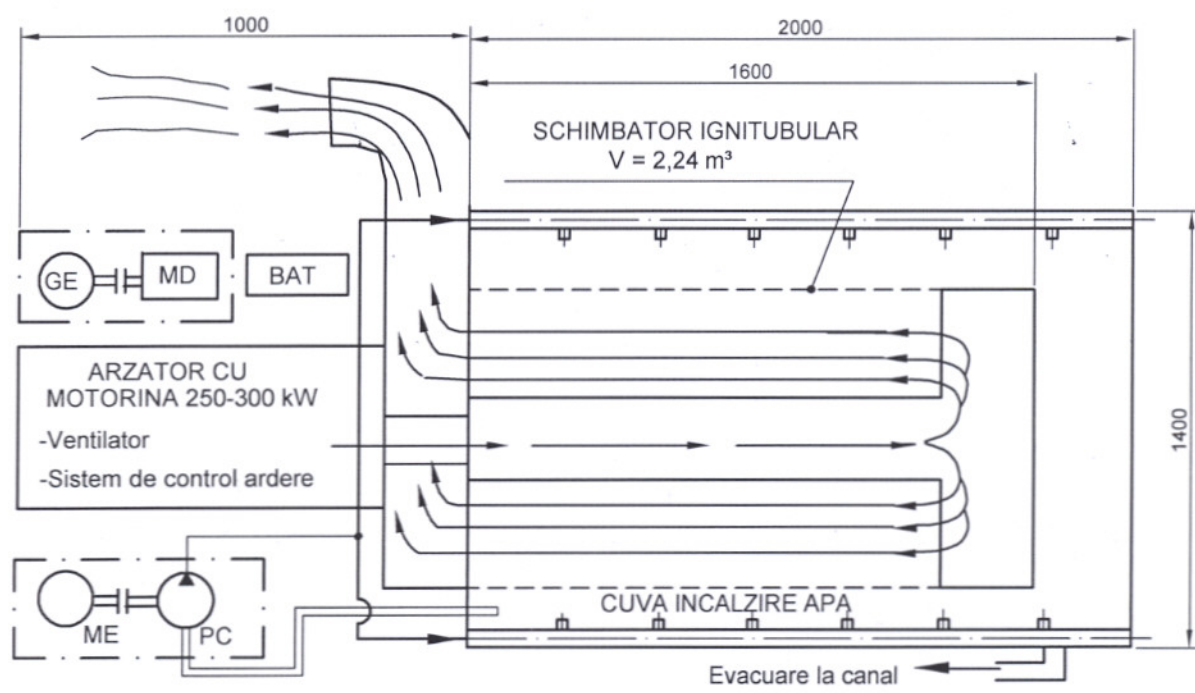


Nr. crt.	Buc.	Denumire	Caracteristici
1.	1	Electropompa centrifuga Cod. F32/160B Italia	- Debitul: Q=10 - 25 m ³ /h - Presiunea: p= 5 - 6 bar - Tensiunea: 220 Vca/50 Hz - Puterea: 5,5 kW -Turatia: 2900 rot/min -Racord aspiratie: Dn 50 -Racord refularee: Dn 32
2	1	Supapa de siguranta DN 32 cu comanda manuala Model: SUPAPA 6302	- Diametrul nominal: DN 32 - Presiunea max: 40 bar - Presiune tarare: 0,5-10 bar - Material comp. : otel - Temperatura de lucru: -18...+300°C -Mediu de lucru: aer, apa, abur
3	2	Conducte cu bosaje DN 50 (2 m)	Teava zincata Ø63x2000
4	20	Duze penrtu stopire	Diametre: 6, 8, 10 mm

Proiectat	Dr.ing Cristescu C.		22CI-3.0 SH
Desenat	ing Selu S.		Inlocuieste nr.
Verificat	ing Dumitrescu L.		Inventar nr.:
Contr. STAS	ing Secuc R.		
Aprobat	Dr.ing Lepadatu I.		
INOE 2000-IHP		Massa	SCHEMA HIDRAULICA instalatie stopire
		Data: 8.11.2017	Masina ecologica de topit zapada



Proiectat	Dr.ing. Cristescu C.			22CI-0.SP	1/1
Desenat	ing. Sefu S.				
Verificat	ing. Dumitrescu L.				
Contr.STAS	ing. Sauciuc R.				
Aprobat	Dr. ing.Lepadatu I.				
INOE 2000-IHP		SCHEMA DE PRINCIPIU			
			Data: 7.11.2017	Masina ecologica de topit zapada	



LEGENDA

- GE - Generator electric
- MD - Motor Diesel
- BAT - Baterii
- ME - Motor electric
- PC - Pompa centrifuga

Proiectat	Dr.ing. Cristescu C.							
Desenat	ing. Sefu S.							
Verificat	ing. Dumitrescu L.							
Contr.STAS	ing. Sauciu R.							
Aprobat	Dr. ing. Lepadatu I.							
INOE 2000-IHP				22CI-0.SB				1/1
				SCHEMA BLOC A MASINII				
				Data: 7.11.2017	Masina ecologica de topit zapada			